

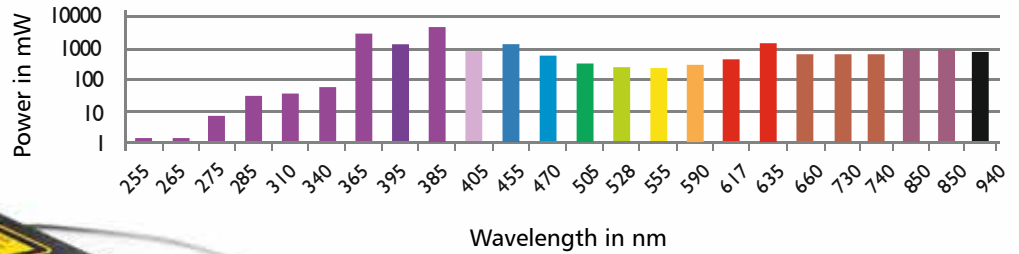
Lasers, Lightengines and for LED lightsources Life Science and Bio-Instrumentation



LED Light Sources

- High power LED light sources for microscopy and fluorescence excitation
- Free space or fibre coupled emission
- 255nm - 940nm
- Output powers up to 3200mW

Available LED output powers



Diode Lasers

- High performance diode lasers
- High stability CW operation or fast modulation up to 500MHz
- Picosecond pulsed diode lasers
- 375nm – 2090nm
- Single-mode output powers up to 1000mW
- Multi-mode output powers up to 10 Watt



Laser Light Engines

- Up to 6/7 user-upgradable wavelengths
- Choice of more than 30 different wavelengths in various power levels up to 300mW
- One or two single-mode PM fibre outputs
- 6/7 individual analogue and digital modulation inputs
- Passive or active cooling with directly attachable cooling unit
- USB 2.0 interface



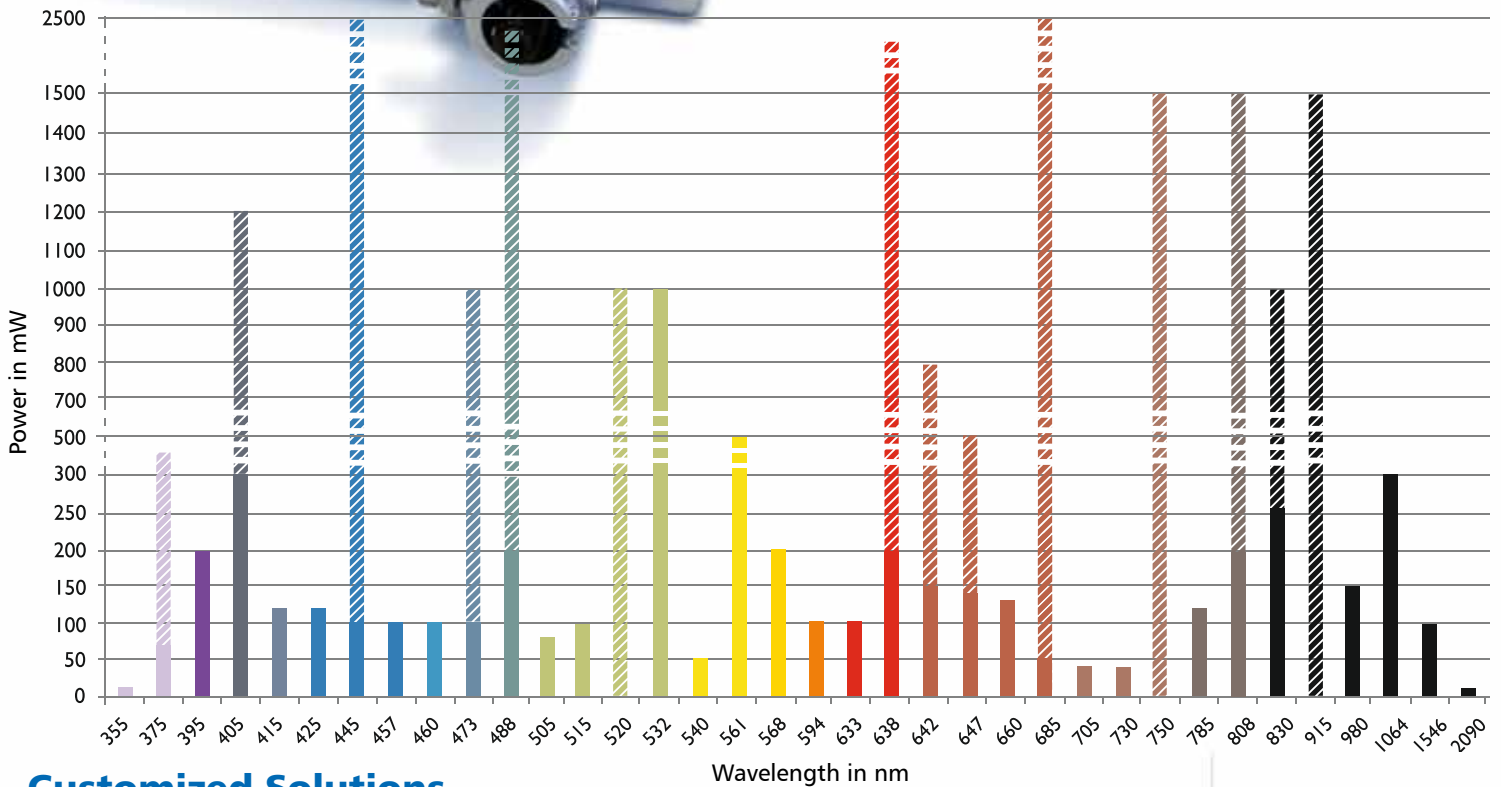
LightHUB® Laser Combiners



- Compact Laser Combiners for up to 2/4/6 wavelengths
- Single-mode fibre coupled output or free space emission
- DPSS and diode lasers with fast direct modulation up to 250MHz
- 355nm - 2090nm
- Optical output powers up to 2500mW per wavelength
- Field-upgradable

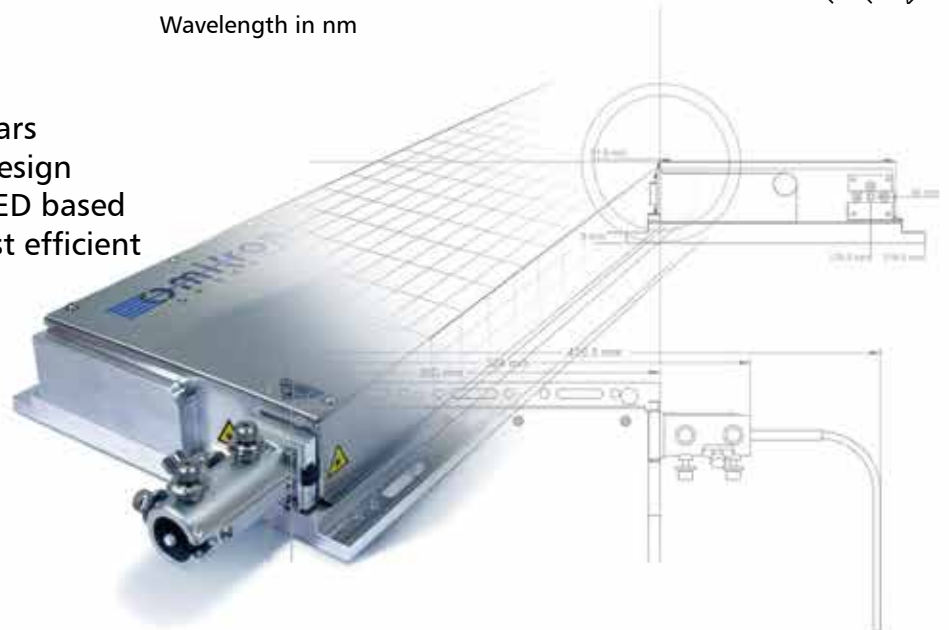
Available laser output powers

■ SM ▨ MM



Customized Solutions

Omicron has more than 30 years of experience in customized design and production of laser and LED based light sources. Our fast and cost efficient customization services are a fundamental part of our R&D department which is certified by ISO 9001:2015 & ISO 13485.

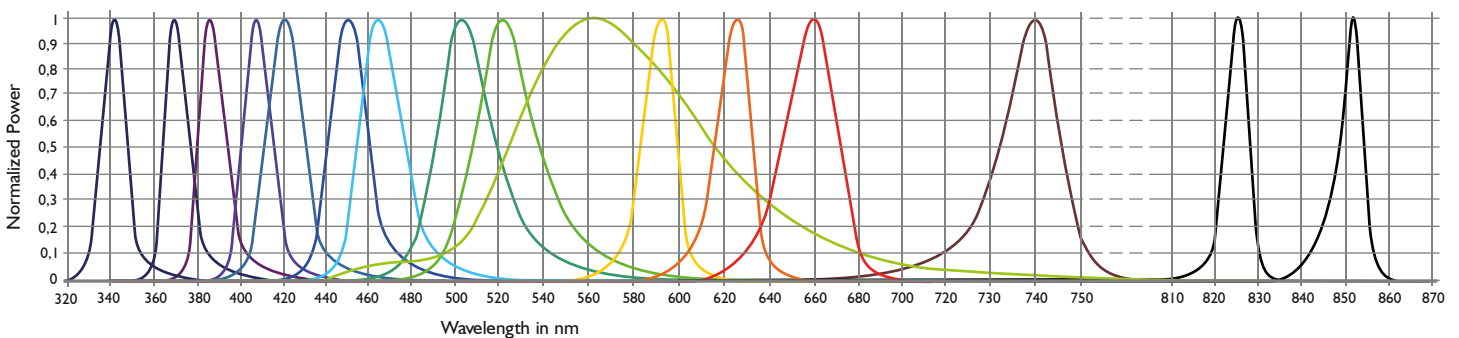


**If you can imagine it,
we can build it!**

LedHUB® - High Power LED Light Engine



- Modular principle for up to 6 wavelengths between 340 and 940nm
- Field-upgradable
- Individual analogue and digital modulation inputs
- Precise intensity control in 0.1% steps (0-100%)
- Intelligent SYNC in- and outputs
- TEC temperature controlled LED chips
- Compatible to 2, 3 and 5mm Liquid Light Guides and SMA or FC/PC connectorized fibres
- Long lifetime – 3 years warranty
- Exchangeable bandpass filters



Omicron-Laserage Laserprodukte GmbH
Raiffeisenstrasse 5e, 63110 Rodgau, Germany

Tel.: +49-61 06 82 24-0
Fax: +49-61 06 82 24-10

mail@omicron-laser.de
www.omicron-laser.de



ISO 9001:2015

